


SAPA SLIDING DOOR 2160

HIGH INSULATED LIFT-AND-SLIDE DOOR FOR LARGE OPENINGS



sapa:

By  Hydro

Sapa 2160 Lift-and-Slide Door

Sapa 2160 is very well insulated. Glass fibre reinforced polyamide strips and PE insulators limit heat losses in an optimal manner.

Strong aluminium profiles and nylon wheels permit large doors, up to 3.2 m wide. The use of stainless steel rails and large corrosion-resistant rollers provides good durability and enables doors to slide smoothly and quietly.

EPDM gaskets guarantee a high level of airtightness and watertightness. Two levels of drainage. Concealed attachments, specially designed end pieces and a slim door leaf profile give 2160 a harmonious design.

The threshold is designed to be integrated into the floor. When the handle is raised, the door can be parked in any position. 2160 can also be equipped with a locking feature to allow nighttime ventilation.

Ideal for large openings in exterior walls. An excellent choice for new builds or conversions and extensions.

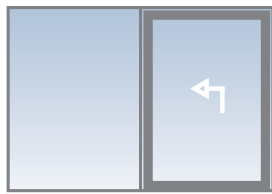
Sapa 2160 Lift-and-Slide Door

Glass thickness	double and triple glazing: 20–51 mm
Profile depth door leaf/frame	70/160 mm
Door leaf max. dimensions	W 3200 mm. H 2700 mm. Door leaf H 3250 mm available as option.
Door leaf max. weight	300 kg. Door leaves up to 400 kg available as option.
Variants	Single- or double-opening
Fitting type	Lift-and-slide with lockable espagnolette, 2 locking points. An aluminium handle and cylinder lock can be fitted to the inside or both the inside and outside.
Watertightness, class	E1200/9A/8A acc. to EN 12208
Airtightness, class	4 according to EN 12207



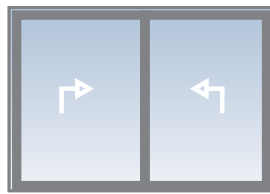
Combination possibilities, fitting features and clear dimensions

F.O.D.= Frame outer dimensions C.D.= Clear dimensions



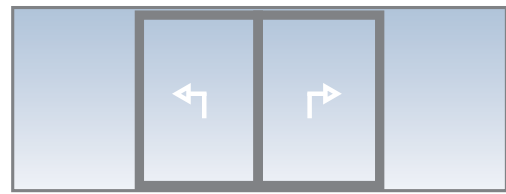
Single-opening with one sliding door leaf

Clear dimension = F.O.D/2 - 187 mm
F.O.D. = Clear dimension x 2 + 374



Single-opening with two sliding door leaves

Clear dimension = F.O.D/2 - 232 mm
F.O.D. = Clear dimension x 2 + 464



Double-opening

Clear dimension = F.O.D/2 - 324 mm
F.O.D. = Clear dimension x 2 + 648

Fittings finished in aluminium or white



Lifting handle, inside
Art. no. ZB 0024



Lifting handle, inside
Art. no. ZB 0024
Pull handle, outside
Art. no. ZB 0028



Lifting handle for cylinder lock, inside
Art. no. ZB 0025

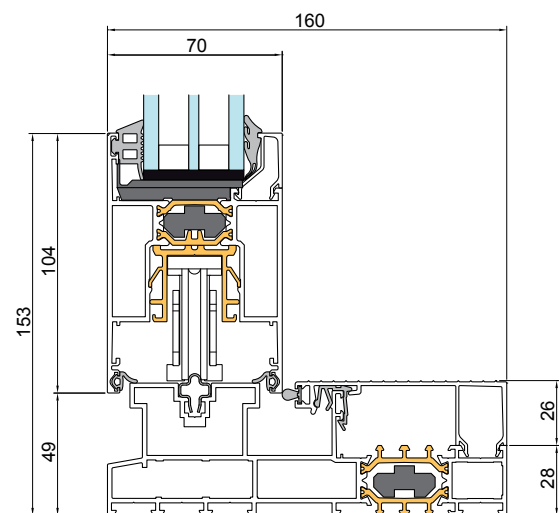
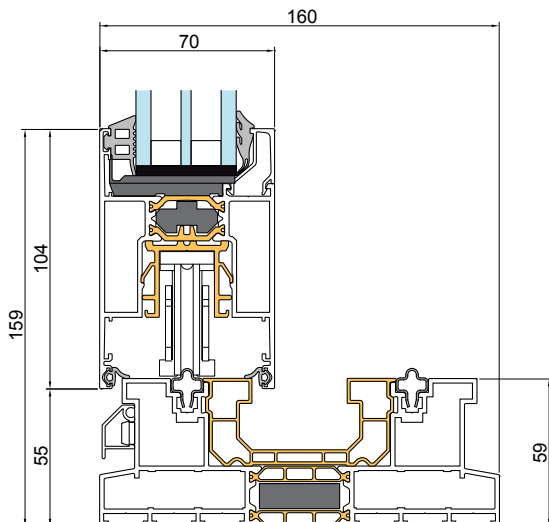


Lifting handle for cylinder lock
Art. no. ZB 0025 inside
Art. no. ZB 0027 outside



Lifting handle for cylinder lock, inside
Art. no. ZB 0025
Pull handle, outside
Art. no. ZB 0028

Profile section, double-track and single-track versions



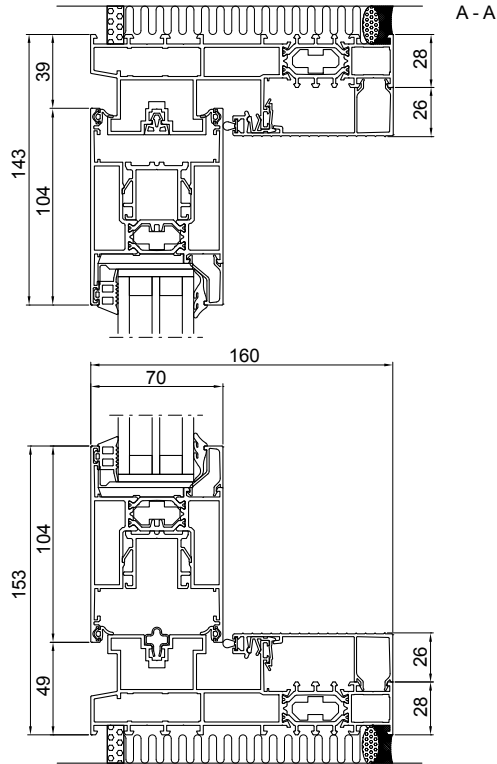
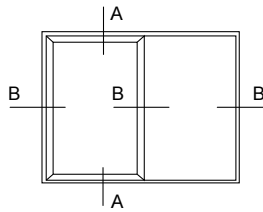




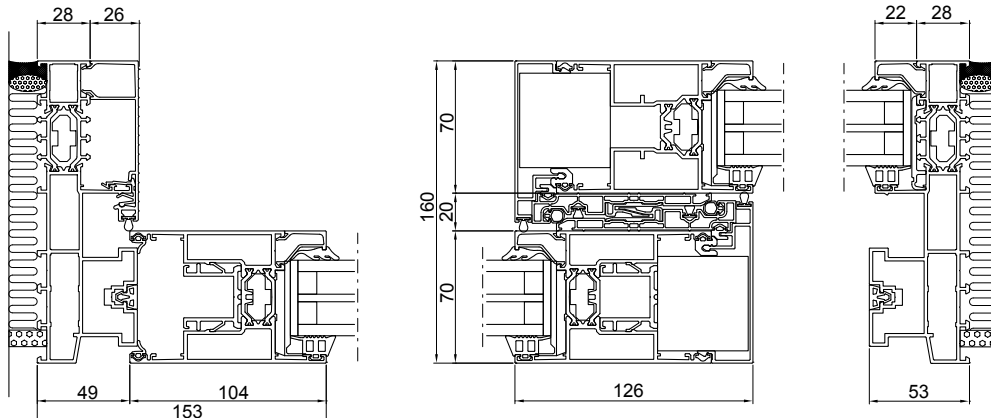
Sapa Lift-and-Slide Door 2160

Glass, U_g	0.6 W/m ² K	0.9 W/m ² K	1.1 W/m ² K
W x H, mm	U_g W/m ² K	U_g W/m ² K	U_g W/m ² K
3000 x 2300	1.4	1.6	1.7
4000 x 2300	1.3	1.5	1.6
5500 x 2300	1.2	1.4	1.6

* Theoretical U-value calculation with allowance for glass, profile proportion and linear factors for edge zone effects according to EN 10077-1/2.



B - B





sapa:

By  **Hydro**

Hydro Building Systems, region North

Sweden

SE-574 81 Vetlanda
T +46 (0)383 942 00
E sapa.se@hydro.com

Norway

NO-2027 Kjeller
T +47 63 89 21 00
E sapa.no@hydro.com

Denmark

DK-8240 Risskov
T +45 8616 0019
E sapa.dk@hydro.com

Finland

FI-02180 Espoo
T +358 (0)9 867 82 80
E system.fi@hydro.com

Lithuania/Estonia/Latvia

LT-02244 Vilnius
T +370 (0)5 210 25 87
E sapa.lt@hydro.com

Poland

92-620 Łódź, Polska
T +48 (0)42 683 63 73
E sapa.pl@hydro.com

sapabuildingsystem.com