

## DOORS

# AMBIAL

## THE VERSATILE FOLDING DOOR

AMBIAL is a folding door system ideal for large openings, designed to suit all architectural wishes, whether a new-build or renovation.

### The benefits of AMBIAL

- 75 mm frame width
- 2 vent heights available:
  - 66 mm in standard version
  - 76 mm in reinforced version for large dimensions
- Glazing thickness from 9 to 59 mm
- 3-point locking system with insulated key
- Treshold:
  - Standard double brush
  - Flush mounted treshold for accessibility
  - Treshold with rebate for improved performance
- Max. dimensions: W x H 1200 x 3000 mm per leaf, i.a. a maximum width of 12 m
- Max leaf weight up to 150 kg

### Esthetics and comfort

- Wide choice of configurations: from 1 up to 10 leaf, straight line version or open corner version, inwards or outwards opening from the center or one of the sides
- Mullion, cover profiles and specific accessories are designed to create a 90° angled inwards or outwards opening with floating mullion

- Completely flush appearance in closed position, straight lines and visual harmony in closed position
- Concealed drainage in all applications
- Blocking magnets to protect the door from any shocks when in the open position
- ultra-flat handle and key design
- Pull handle mounted on hinges or on support for easy closure

### Installation and assembly

- Profiles, accessories and reversible symmetrical joints
- Simple adjustment on site (vertical and lateral)
  - Vertical +3 mm / -1 mm
  - Lateral +5 mm / -5 mm
- Glazing with identical dimensions
- Black accessories and hardware for stock optimization
- Simplified and intuitive installation
- Limited number of tools required for manufacturing
- templates for easy installation of accessories

### Low carbon footprint

- AMBIAL is made from Hydro CIRCAL®, recycled low carbon aluminium. That means it's high quality aluminium made with a minimum of 75% recycled end-of-life aluminium (post-consumer scrap). Hydro CIRCAL® has a carbon footprint of 2.3 kg of CO<sub>2</sub>/kg of aluminium on average.

Thermal performances:  $U_w = 0.95 \text{ W/m}^2\text{K}$  ( $U_g = 0.5 \text{ W/m}^2\text{K}$ )  
(5 leaves W 6000 mm x H 3000 mm)

Air permeability: Class 4

Water tightness: Class E750

Wind pressure resistance: Class C3

Operation force: Class 1 (less than 100 N)

Mechanical strength: Class 3

Corrosion resistant hardware: Grade 5 (420h in saline mist)

Endurance: 50000 cycles (3 leaves of 150 kg)

Acoustic attenuation: up to  $R_w[C;C_{tr}]$  42dB[-1;-5]



**sapa:**

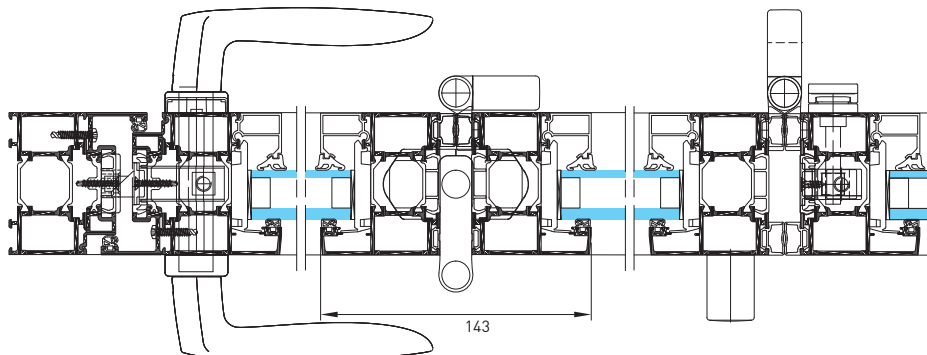
By  Hydro

## Applications

From 1 to 10 leaves, inward or outward opening with identical configuration

1 leaf	2 leaves	3 leaves	4 leaves	5 leaves	6 leaves	8 leaves	10 leaves
101-i 110-i 101-e 110-e	211-i 211-e	303-i 330-i 303-e 330-e	413-i 431-i 413-e 431-e	505-i 550-i 505-e 550-e	615-i 651-i 633-i 615-e 651-e 633-e	835-i 853-i 835-e 853-e	1055-i 1055-e

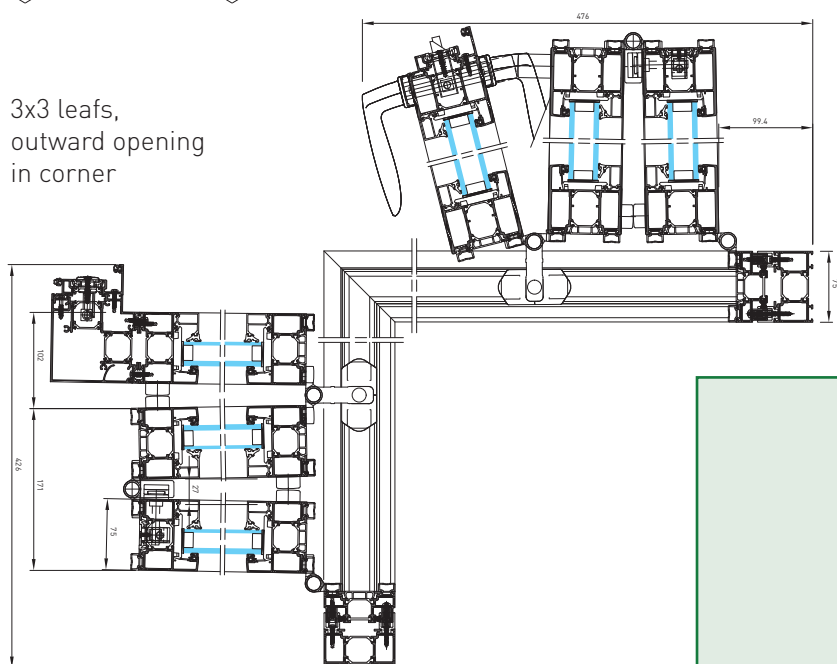
3 leaves,  
outward opening



From 2 to 10 leaves in corner solution, inward or outward opening with identical configuration

1 leaf in corner	1x3 leaves in corner	3x3 leaves in corner	1x5 leaves in corner	3x5 leaves in corner	5x5 leaves in corner
AS-211-i AS-211-e	AS-413-i AS-431-i AS-413-e AS-431-e	AS-633-i AS-633-e	AS-615-i AS-651-i AS-615-e AS-651-e	AS-835-i AS-853-i AS-835-e AS-853-e	AS-1055-i AS-1055-e

3x3 leaves,  
outward opening  
in corner



\* Article codes:

AS	outer corner
1 <sup>st</sup> digit	total n° of leaves
2 <sup>nd</sup> digit	n° of leaves on the left
3 <sup>rd</sup> digit	n° of leaves on the right
opening	i = inward / e = outward

Hydro Building Systems Lithuania UAB  
Kirtimų g. 47, Vilnius  
LT-02244, Lithuania  
[www.sapabuildingsystem.com](http://www.sapabuildingsystem.com)

**sapa:**

By  Hydro