

# SOLEAL

without thermal  
break

THE UNIVERSAL  
DOOR



IMAGINE WHAT'S NEXT

**TECHNAL**



## **SOLEAL 55 mm door** WITHOUT THERMAL BREAK

/ THE UNIVERSAL DOOR

### **ELEGANT AND SLEEK**

SOLEAL 55mm door is a range of single-action doors on hinges without thermal break and with a 55 mm module, perfect for all construction types, whether for offices or private residences.

The SOLEAL door without thermal break is available as an open-in or open-out product, with 1 or 2 leaves and enables the production of joinery assemblies.

As access is one of the main focuses, the SOLEAL door offers a wide choice of PRM thresholds both for buildings and residences.

# SOLEAL 55 mm door

WITHOUT THERMAL BREAK

/ UNIVERSAL DOOR



OPEN-OUT DOOR WITH  
PLINTH AND BUILDING  
PRM THRESHOLD



OPEN-IN DOOR WITH  
PLINTH AND BUILDING  
PRM THRESHOLD

## KEY INNOVATIONS AND FEATURES

### DESIGN

- Square door handle - exclusive TECHNAL design
- Drainage concealed in plinth, lower and intermediated transom
- Clamp hinge thinness: 20 mm sight line for 2-part and 3-part hinges

### MULTIPLE APPLICATIONS

- Single-action door on hinges.
- 1 and 2 leaves.
- Open-in and open-out
- PRM threshold

### LARGE DIMENSIONS

- Up to 2,400 x 1,200 m - 1-leaf single-action door.
- Maximum weight: 150 kg/leaf.
- Glass thickness capacity: 4 to 42 mm.

### LOCKING MECHANISM

- Wide choice of locks.
- Wide choice of locking systems: TECHNAL exclusive-design handle with stainless steel handle, TECHNAL exclusive-design square door handle, pushbars.

### PRODUCTION AND INSTALLATION

- Same installation and hardware environment as the SOLEAL thermal break range.

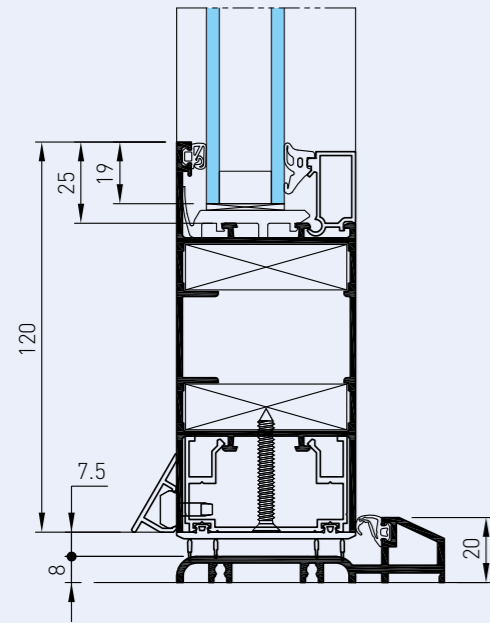
### ACCESSIBILITY

- Specially adapted for easy PRM thresholds on all available applications.
- Surface-mounted door closer: door blocks at 90°.
- Residential and building threshold.

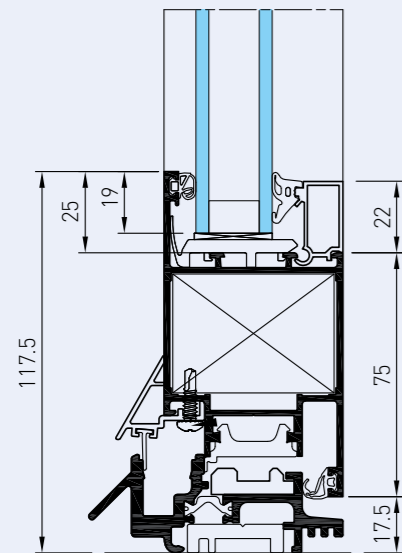


# ACCESSIBILITY

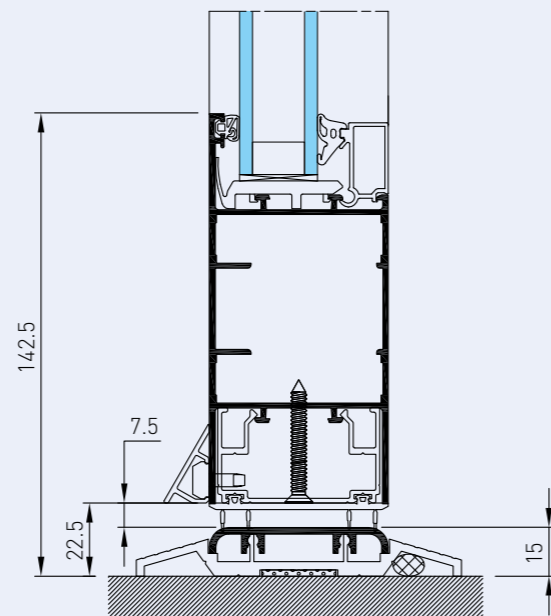
The SOLEAL door without thermal break complies with PRM threshold regulations with heights of 15 to 20 mm while maintaining sealing performance.



"Building" removable PRM threshold of 20 mm for open-in and open-out



"Residential" removable PRM threshold of 20 mm for open-in only



"Residential" threshold for open-in and open-out

# SECURITY / A COMPREHENSIVE OFFER

## BASE LOCKS

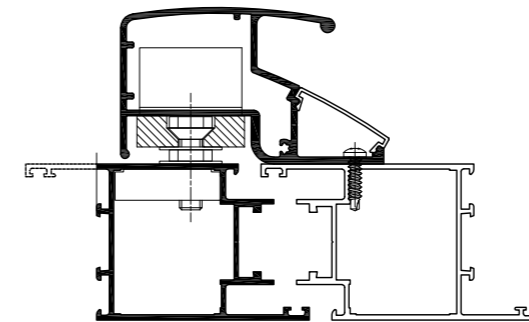
- Fixed frame 1/2 turn bolt lock.
- Roller lock and fixed frame bolt.
- 2-point cylinder lock.
- 2-point lock connector lock

## MULTI-POINT LOCKS

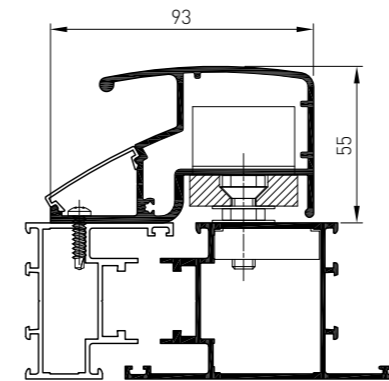
This offer allows you to add additional lock points as required, lateral swivel bolt or vertical bolt for very high doors (> 2.25 m high).

## ELECTROMAGNETIC LOCK

For the single-action version (1 or 2 leaves), connected to an access control system, the electromagnetic lock is used for locking the door. The profile that contains the lock is also used as a pull handle at the top of the door.



Lock on opening sash



Lock on fixed frame

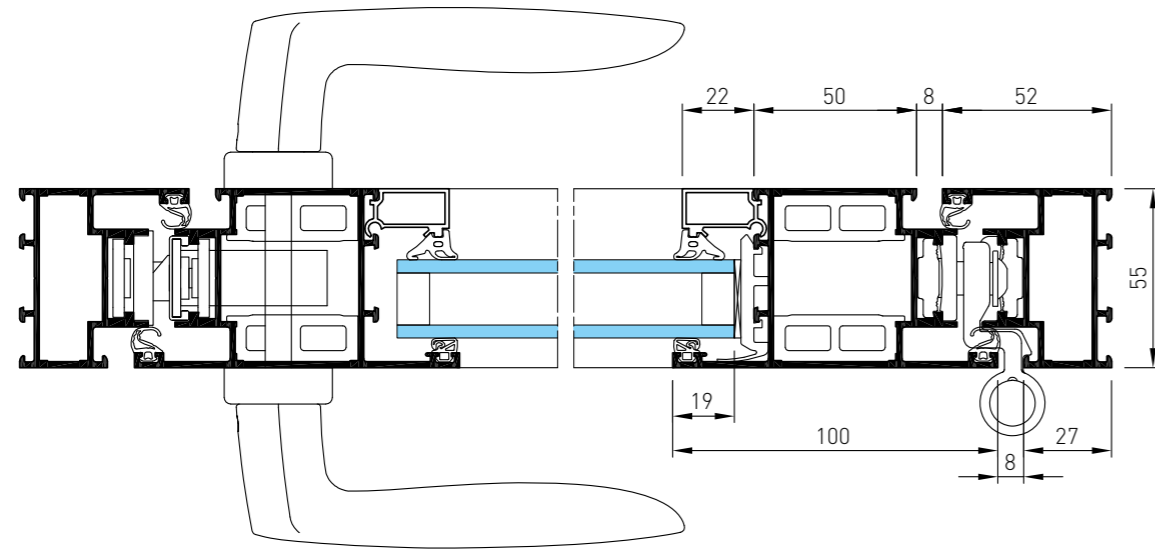


Lock built into the opening sash

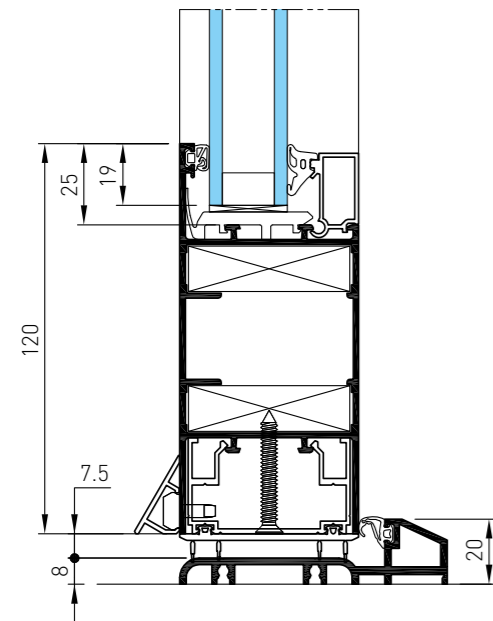
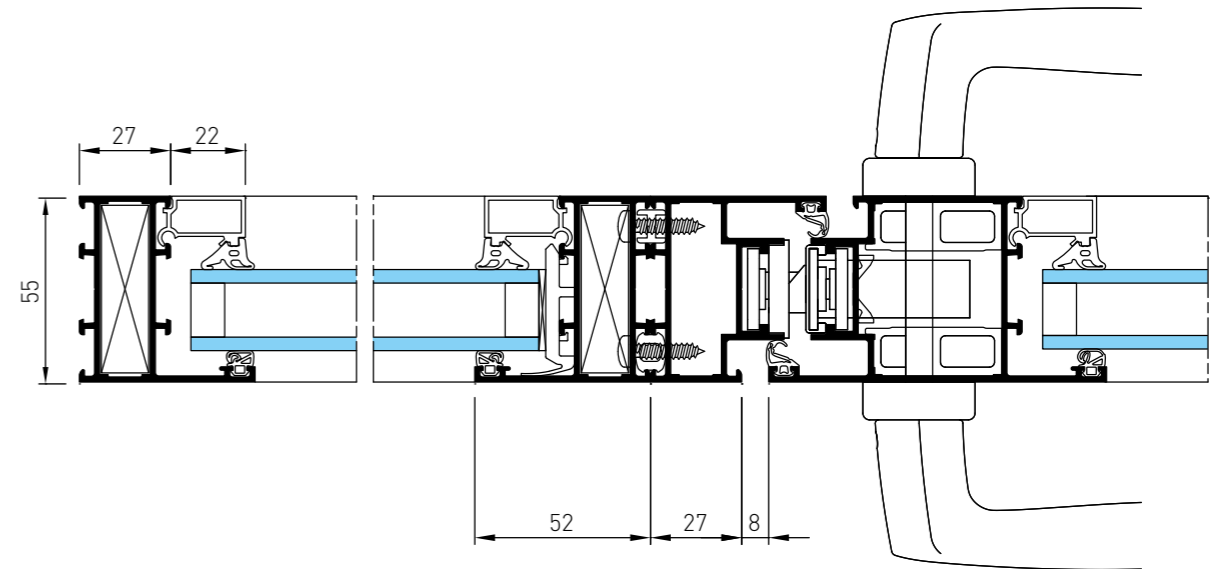
# SOLEAL 55 DOOR

/ SINGLE-ACTION ON HINGES

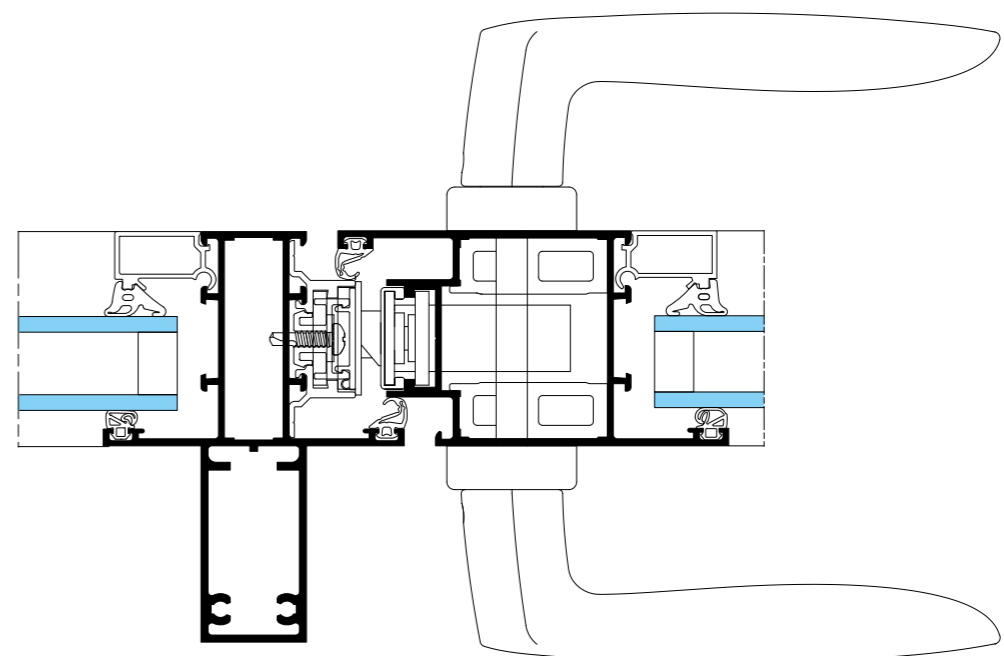
SINGLE-ACTION DOOR WITH PLINTH



COMPOSITE ASSEMBLY OVERLAPPING



INTEGRATION





# SOLEAL 55 DOOR

/ BESPOKE DESIGN

## A WIDE CHOICE OF LOCKING SYSTEMS



Exclusive TECHNAL design handle with lock



Stainless steel handle with lock



Square door handle - exclusive TECHNAL design



Triple lobe pushbar



Offset triple lobe pushbar

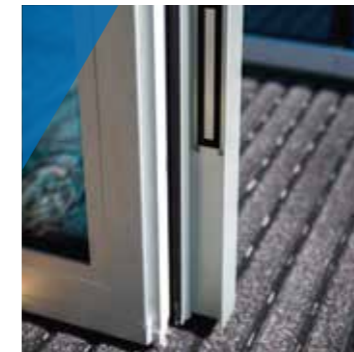


Stainless steel pushbar

## DISCREET ELEMENTS



Attractive hinges



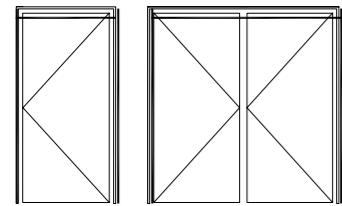
Electromagnetic lock

# APPLICATIONS

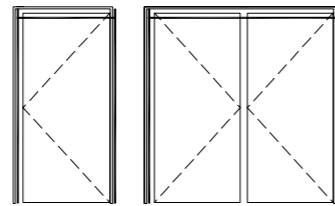
All of these applications are available with concealed drainage on fixed frame and transom.

## REPRESENTATIONS VIEWED FROM THE EXTERIOR

### INSIDE AND OUTSIDE SINGLE-ACTION

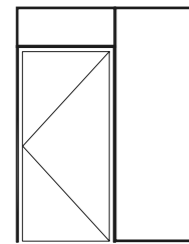


1 leaf - 2 leaves, open-out

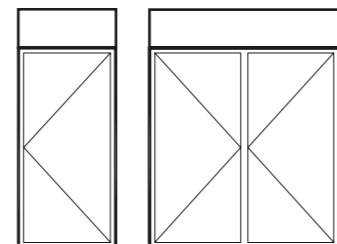
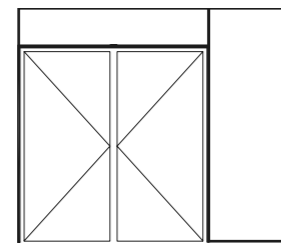


1 leaf - 2 leaves, open-in

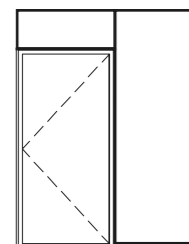
### COMPOSITION



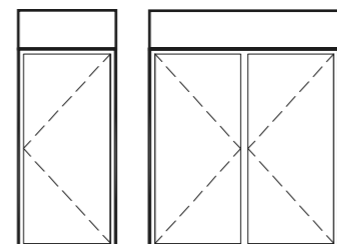
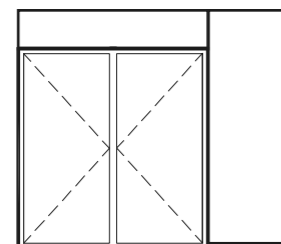
1 leaf - 2 leaves



1 leaf - 2 leaves



1 leaf - 2 leaves



1 leaf - 2 leaves

# SOLEAL 55 DOOR

## / PERFORMANCE

PERFORMANCE (Air-Water-Wind)						
Frame	Dimensions Height x Width in m	Air permeability	Watertightness	Wind resistance	Test report no.	Q100
1-leaf open-out door on hinges with plinth and building threshold	2.4 x 1.1	Class 2	Class 2A	Class C3	BPI1.7.2012-1	-
Open-out door on hinges with PRM threshold and corners	2.4 x 1.1	Class 3	Class 7A	Class C3	404/12/202-1	2.99
Open-out door on hinges with PRM threshold	2.4 x 1.1	Class 4	Class 6A	Class C3	404/12/202-2	2.16
Open-in door on hinges with PRM threshold and corners	2.2 x 1.0	Class 3	Class 4B	Class C3	404/12/202-3	3.37
Open-in door on hinges with PRM threshold	2.2 x 1.0	Class 3	Class 3B	Class C3	404/12/202-4	3.28
2-leaf open-out door on hinges with PRM threshold	2.5 x 2.0	Class 3	Class 3A	Class B2	404/12/324-1	7.33
1-leaf open-out door on hinges with PRM threshold	2.4 x 1.1	Class 4	Class 7A	Class C3	404/12/324-2	1.56
1-leaf open-in door with peripheral opening sash and residential threshold	2.4 x 1.1	Class 3	Class 7A	Class C3	R140702	3.86

These results come from tests conducted on frame thermal break with the same external geometry as SOLEAL PY 55 without thermal break.





**Architectural agency:** Koffi & Diabaté Architectes  
**Photographer:** DR Hôtel Onomo

## MATERIALS AND COMPONENTS

As with all TECHNAL systems, only high-quality materials and components are used to reduce maintenance and guarantee long-term performance.

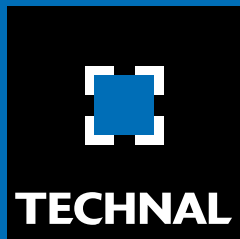
- Aluminum profile sections are extruded using building industry 6060 alloys meeting EN 12020, EN 573-3, EN 515 and EN 775-1 to 9.
- Accessories are cast using Zamak 5 meeting EN 12844.
- All seals are EPDM or TPE (ThermoPlastic Elastomer).
- Polyamide insulators are extruded using PA6-6 (0.25 FV)
- Screws are made of stainless steel.

## FINISHES AND COLOURS

A wide range of finishes is available to meet the requirements of individual projects, to enhance existing buildings and to offer increased design choice to architects and designers:

- Natural anodised in compliance with EN 123731: 2001.
- Polyester coated finishes in an extensive range of colours, in compliance with QUALICOAT instructions.
- SOLEAL is also available in painted finishes in exclusive TECHNAL colors for a stylish and contemporary appearance.





IMAGINE WHAT'S NEXT

270 rue Léon-Joulin  
BP 63709 • 31037 Toulouse cedex 1 France  
Tel. +33 (0)5 61 31 28 28 - [www.technal.com](http://www.technal.com)

