

sapa:

Building systems for solar glazing

Integration in building system



Integration in building system

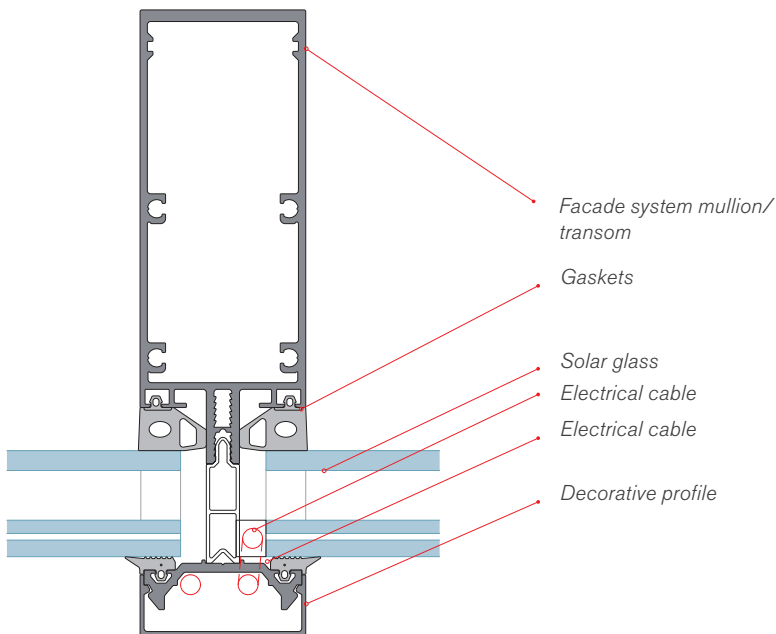
Sapa building systems for solar glazing offer a range of possibilities for implementing energy-efficient, innovative and prestigious projects.

Solar glazing can be used in our façade systems and glazed roof systems where cables can easily be concealed inside the profiles to create an integrated and esthetically attractive unit.

System for integrated solar glazing:

Facade 4150/4150 SX/4150 PH and Roof Glazing 5050.

Solar glazing integrates easily into our profile systems for facade and roof glazing



Example of integration in facade system. Mullion, facade 4150



Transparent glazing unit. Thin film.
Illustration shows 20% transparency.



Opaque facade glass. Thin film.

About solar glazing

Solar cells are integrated in transparent double- or triple-glazed units, or in opaque single-glazed infill panels or solar shading.

The solar cells are always located in the outer sheet of glass, which must have a low iron content. The low iron content ensures very clear glass that allows as much sunlight as possible to reach the solar cells.

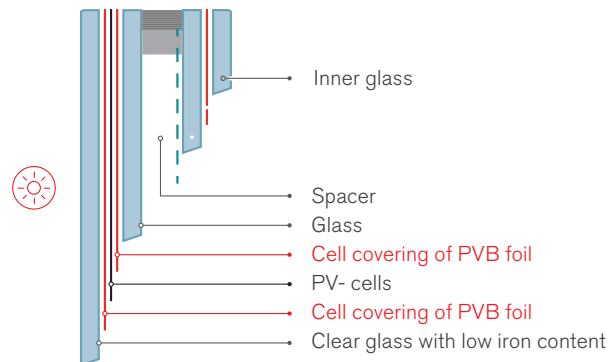
Solar glass performance

All solar glass is defined by its peak performance, W_p (Watt peak). Peak performance is measured under Standard Testing Conditions (STC), which is a standardised method of determining the peak power of solar glass.

STC specifics:

- Solar radiation 1000 W/m^2
- Cell temperature 25°C
- AM 1.5 solar spectrum (sun elevation $41,8^\circ$ i.e. $48,2^\circ$ from zenith)

The solar cells are always located in the outer sheet of glass, which must have a low iron content.



Example of solar glass construction (double-glazed transparent unit)

Design with solar cells

A new collaboration agreement between Sapa and SolTech Energy offers unique design possibilities for integrating solar cells into single glazing on façades. The solar cells are available in a range of attractive, modern colors and different module sizes. Sapa customized system profiles are quick and easy to install.



SolTech Energy

Read more on SolTech Energy's website www.soltechenergy.com

sapa:

Hydro Building Systems Lithuania UAB

Kirtimų g. 47
LT-02244 Vilnius
T +370 5 210 2587
E sapa.lt@hydro.com
www.sapa.lt

By  Hydro