

sapa:

Sapa Sliding Door 2115

Light insulated sliding door for conservatories



Sapa 2115 Sliding Door

We recommend the 2115 Sliding Door for insulated outdoor rooms and conservatories where demands are not as high as for glazed elements in exterior walls, and for those looking for a high standard of quality. The meeting profile is just 35 mm wide, which has minimal impact on the view and makes nature an extension of the room.

Doors run silently on stainless steel wheels and tracks. The frame can be partially inset into the wall and the threshold can be recessed into the floor to reduce the height.

30 mm wide glass fibre reinforced polyamide insulators ensure good thermal insulation.

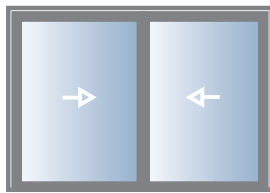
The sliding door can have two or four sliding door leaves in a double-track frame, or three sliding door leaves in a triple-track frame.

An insulated, easily operated sliding door with a slim, modern appearance.

Also available in triple-track version.

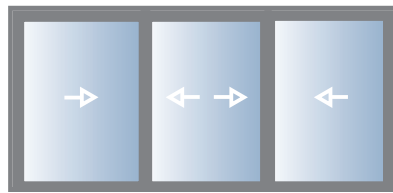
Large choice of handles.





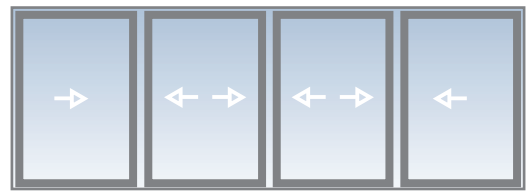
Double-track with two sliding door leaves

Clear dimension = F.O.D./2 - 184 mm
F.O.D. = Clear dimension x 2 + 368



Triple-track with three sliding door leaves

Clear dimension = F.O.D./2 - 299 mm
F.O.D. = Clear dimension x 1.5 + 448



Double-track with four sliding door leaves

Clear dimension = F.O.D./2 - 325 mm
F.O.D. = Clear dimension x 2 + 650

Fittings finished in black or white



Handle, inside SV2078



Handle, inside SV2079



Handle, inside SV2080



Handle, inside SV2082



Handle, inside and outside SV2081



Handle, inside and outside SV2083

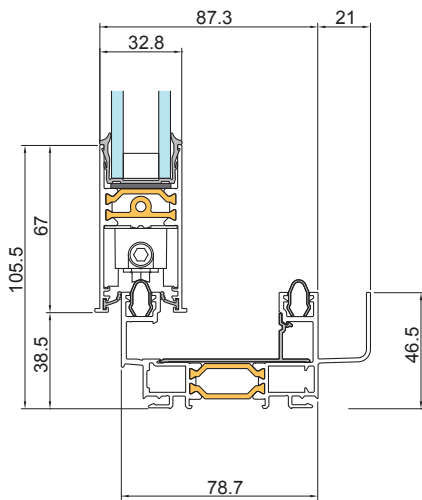


Handle, outside SV2084

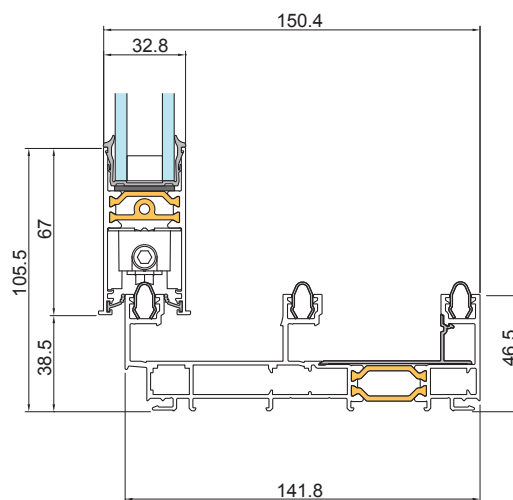


Handle, outside SV2085

Profile sections



Double-track with two sliding door leaves



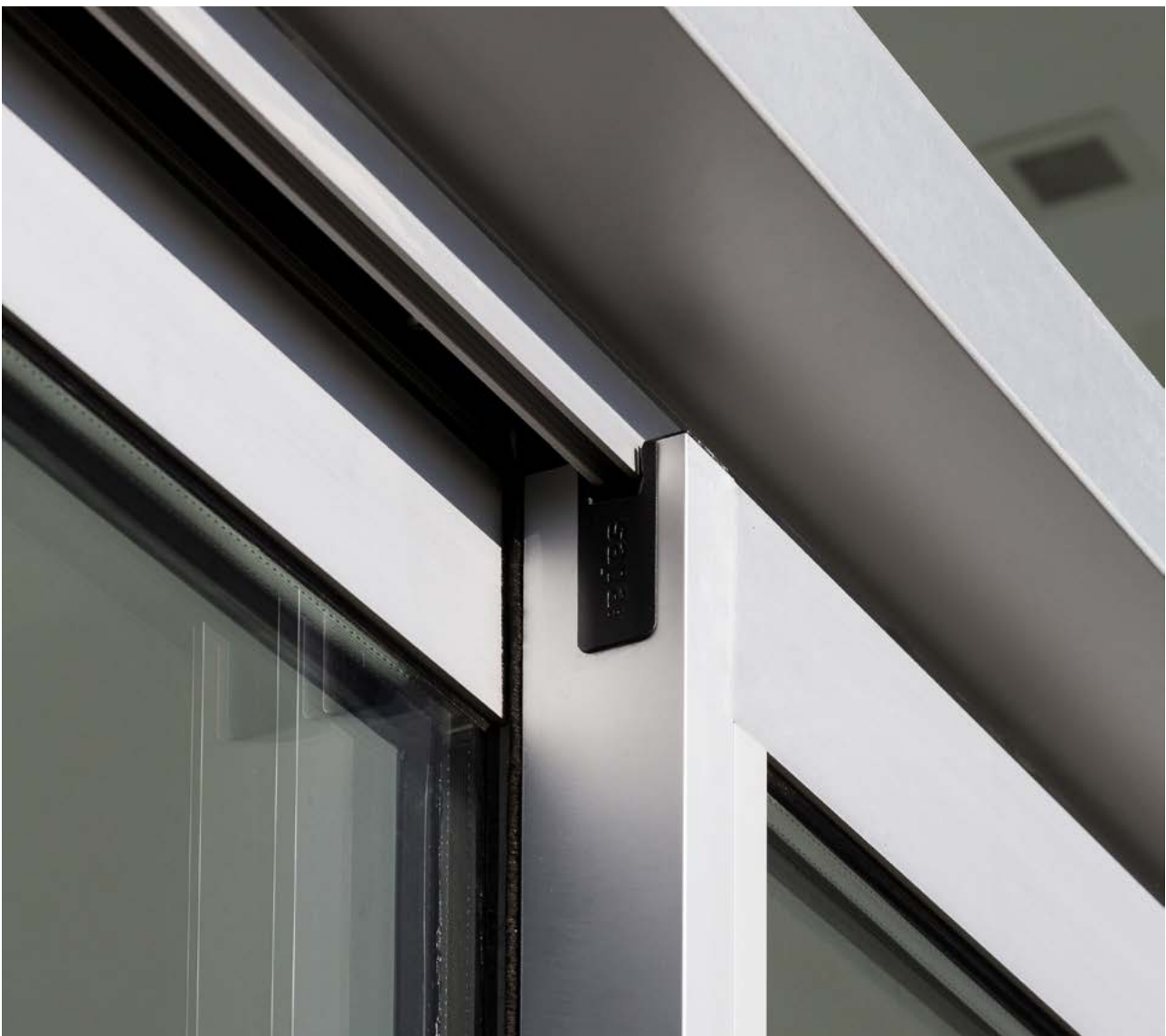
Triple-track with three sliding door leaves





Sapa 2125 Sliding Door

Glass thickness	double-glazed: 24–28 mm
Profile depth	Door leaf: 37 mm Double-track frame: 78.7 mm Triple-track frame: 141.8 mm
Door leaf max. dimensions	W 1400 mm. H 2400 mm.
Door leaf max. weight	160 kg
Variants	Two or four sliding door leaves in double-track frame, or three sliding door leaves in triple-track frame
Fitting type	Espagnolette with three locking points and aluminium handle. Available with lockable handle. Also from outside.
Watertightness, class	6B according to EN 12208
Airtightness, class	3 according to EN 12207

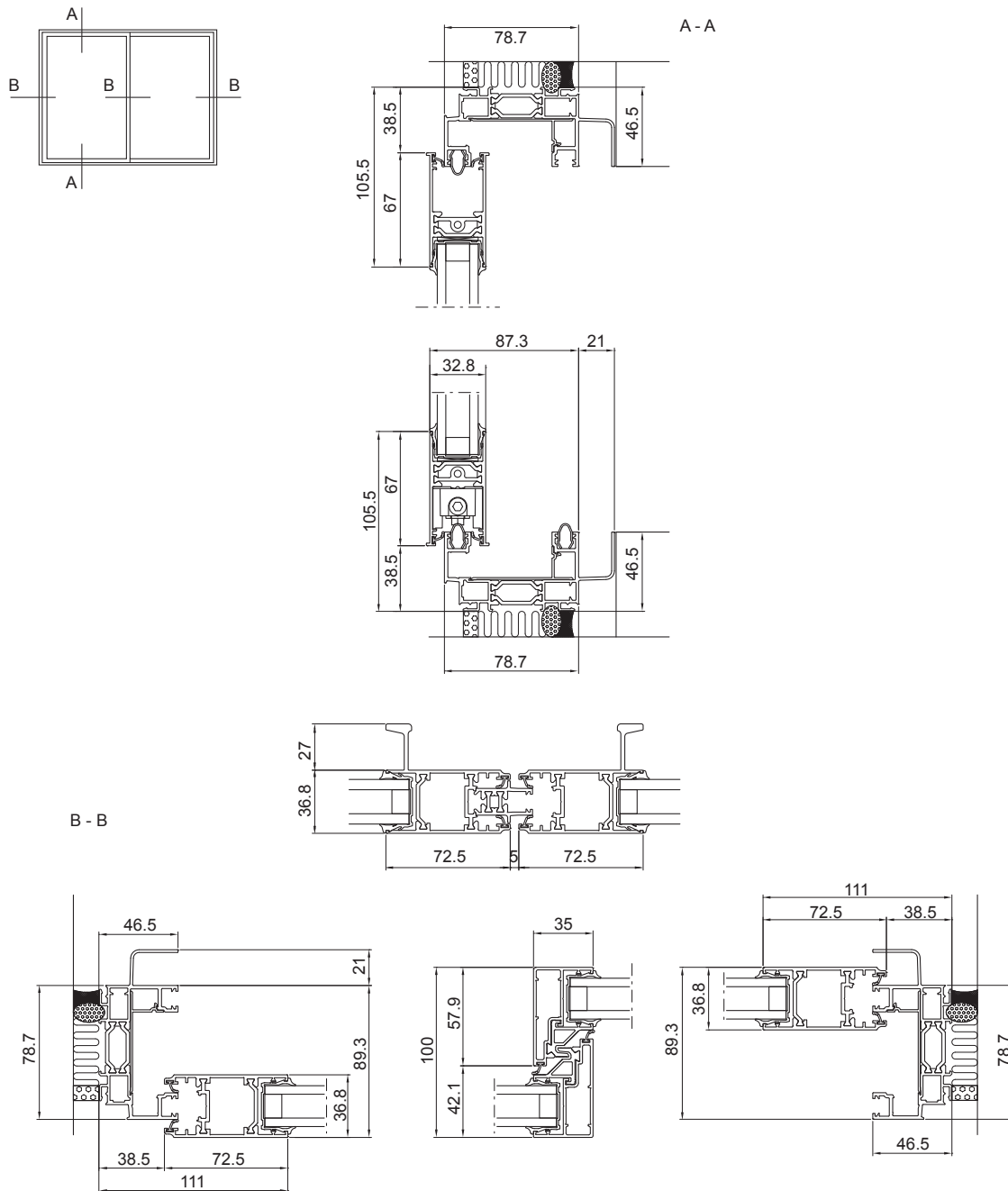


Sapa 2115 Sliding Door

Glass, U_g	0.6 W/m ² K	0.9 W/m ² K	1.1 W/m ² K
W x H, mm	U_g W/m ² K	U_g W/m ² K	U_g W/m ² K
2000 x 2300	Not selectable	Not selectable	1.9
2500 x 2300	Not selectable	Not selectable	1.8
3000 x 2300	Not selectable	Not selectable	1.8

* Theoretical U-value calculation with allowance for glass, profile proportion and linear factors for edge zone effects according to EN 10077-1/2.

Profile section



sapa:

Hydro Building Systems Lithuania UAB

Kirtimų g. 47
LT-02244 Vilnius
T +370 5 210 2587
E sapa.lt@hydro.com
www.sapa.lt

By  Hydro