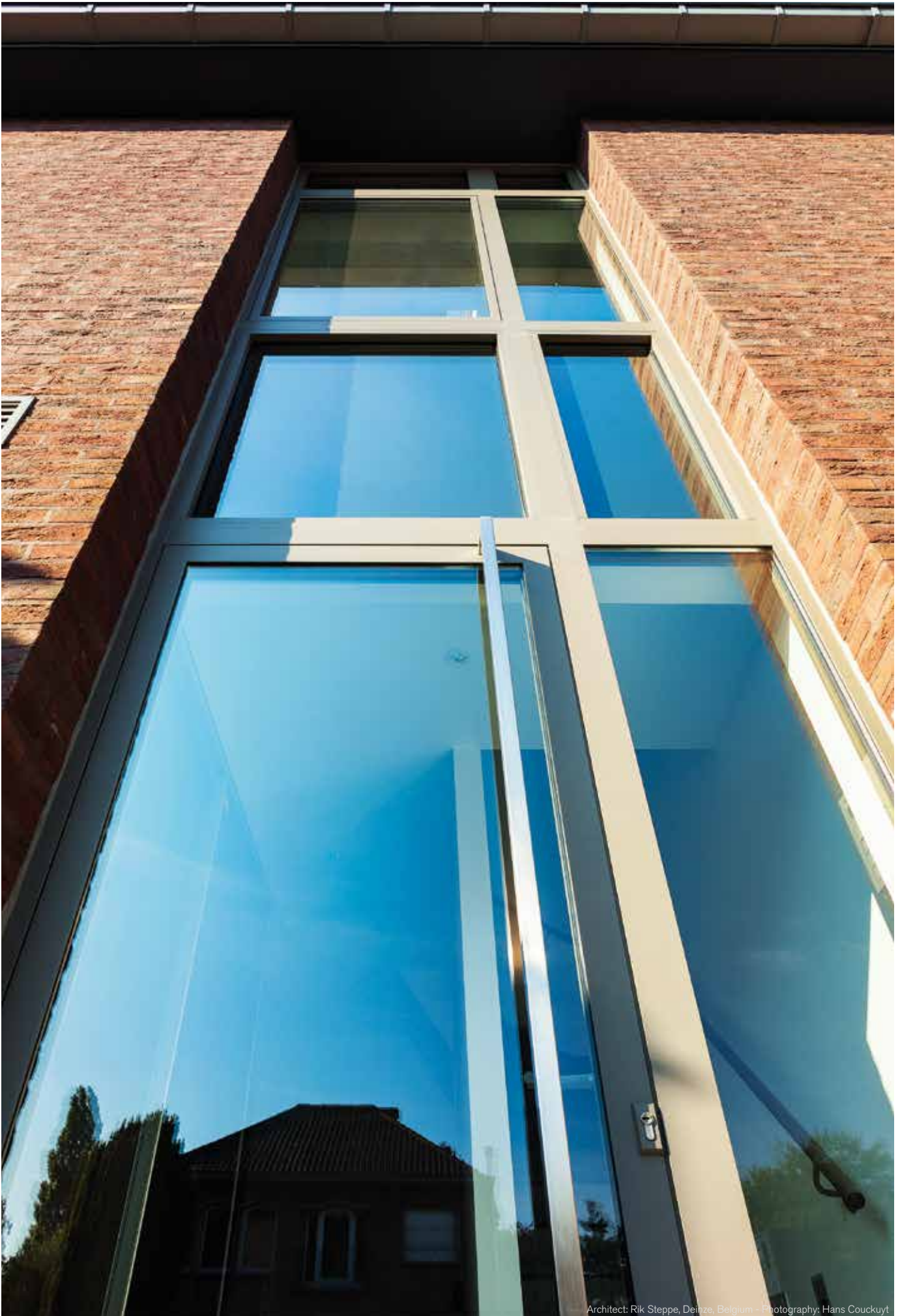


**sapa:**

# Avantis 95 doors

The best door ever





Architect: Rik Steppe, Deinze, Belgium - Photography: Hans Couckuyt

# Avantis 95 doors

## The best door ever

The Avantis 95 Doors is a new solution offering the benefits of enhanced insulation and bringing U values down to  $0,70 \text{ W/m}^2\text{K}$  ( $U_D$ ). This solution is ideal for passive and low-energy buildings.



inwards opening door

outwards opening door

### Unparalleled performance

- Passive solution for door with panel and high thermal with glass
- In addition to the high thermal and air tightness values, the Avantis 95 doors also perform exceptionally well in terms of water tightness. With values of 750 Pa for single inward opening doors, the system is ideal for high rise buildings or those located in areas of high exposure
- The unsurpassed air tightness will give optimal results in door blower or other air leakage tests and consequently on the energy performance rating of the building.
- Burglar resistance to level RC 2 with multipoint locks.

# Avantis 95 doors

Advanced energy saving for a sustainable environment



Architect: Cepezed cv, Delft & Samyn en partners, Brussels, Belgium - Photography: Hans Couckuyt

The unrivalled insulation levels are achieved by employing an intelligent insulation technology (patent-pending) incorporating a special foam, inserted into the central chamber of vent and frame

A special range of gaskets not only ensures the thermal insulation, but also the unsurpassed wind and water resistance of the system. In conjunction with thermal insulation, air tightness is the most critical factor in determining the energy efficiency of a window or door.

The increased frame depth contributes to the profiles' strength and stability, offering architects and builders the design benefits of large, expansive glass surfaces. This gives the freedom to work with innovative, energy efficient and sustainable designs without compromising an open aesthetic and maximising the benefits of natural daylight.

# Avantis 95 doors

Designed with fabricators comfort in mind



## Easy to manufacture, easy to install

- Avantis 95 is as easy to fabricate as any normal aluminium door system. No special accessories, tools or techniques are required.
- Intelligent lock positioning: due to the smart design of the vent profile, locks are always correctly positioned, avoiding the need for time consuming measurements and possible errors.
- Same machining for all lock types: all current and future locks use the same preparation of vent and frame profiles. This promotes simple production and in case of a substitution you only need to replace the lock, without additional machining.
- Face applied hinges and butt hinges do not require counterplates so they can simply be screw fixed. If you want to add a hinge after fabrication this can easily be done without having to take off the vent or deglaze the door.
- Avantis 95 doors are an extension of the Avantis 95 product series and are a perfect companion to the Avantis 95 windows.
- Limited number of add-on profiles to be positioned and fixed. A single finishing profile at the bottom of the door is sufficient.
- Limited number of profiles and accessories but endless combinations.
- Choice of Crimp, pin or eccentric cleats for corner connections.
- Uses several components from Avantis suite.
- CNC programming available via SapaLogic.

## Economic benefits

- Enhanced control of your stock by maximizing common components for different door types
- Identical hinges for both inward and outward opening doors
- Identical threshold for inwards and outwards opening doors.
- Hinges with a wide range of adjustment allow for large tolerances when fixing.
- Enhanced solution against distortion caused by bi-metal (thermal differential) effect.

# Avantis 95 doors

## Thermal values

U <sub>D</sub> door with glass 0,7	0,94 W/m <sup>2</sup> K
U <sub>D</sub> door with PU-panel	0,70 W/m <sup>2</sup> K

## Vent dimensions

Standard	1400 x 2500
----------	-------------

## Maximum vent weight

Frontal mounted hinges	250 kg
Butt hinges	180 kg
Concealed hinges	180 kg

## Infill thickness

Glass	64 mm
Infill panels	73 mm

## Burglary resistance

with multipoint locks	class RC2
-----------------------	-----------



## Unique Sapa Hardware

### Hinge side options

- Sapa Branded face fix hinges
- Innovative Sapa branded butt hinges (patent pending)
- Concealed hinges

### Locks

- Sapa branded "Sapa quality" hardware

### Cylinders

- Sapa branded cylinders are tested to 250.000 cycles, well in excess of the EN 1303 requirement

### Door closers

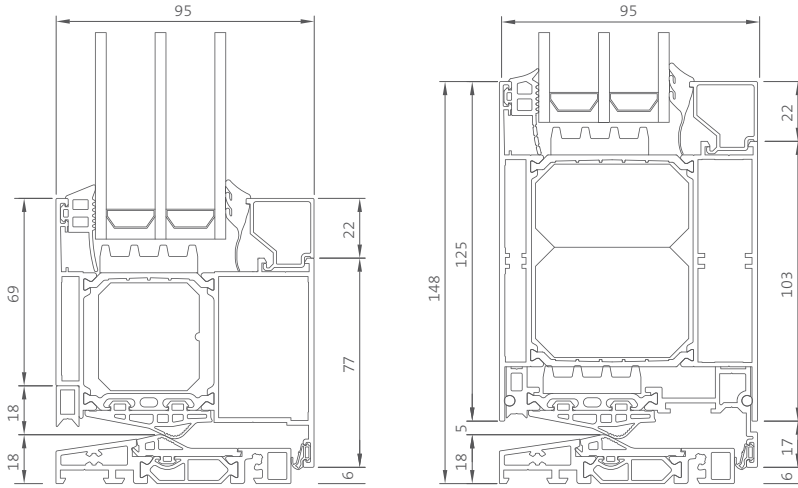
- Sapa Building System door closers operate on a purely mechanical basis with gearing geometry and hydraulic damping ensuring smooth and easy opening combined with effective closing under all conditions and at all door leaf positions.
- Handles
- S-Line handle range with "Sapa fix" mounting mechanism
- Sapa branded pull handles are manufactured in AISI 316, classified as marine quality stainless steel



# Avantis 95 doors

## Outstanding weather resistance

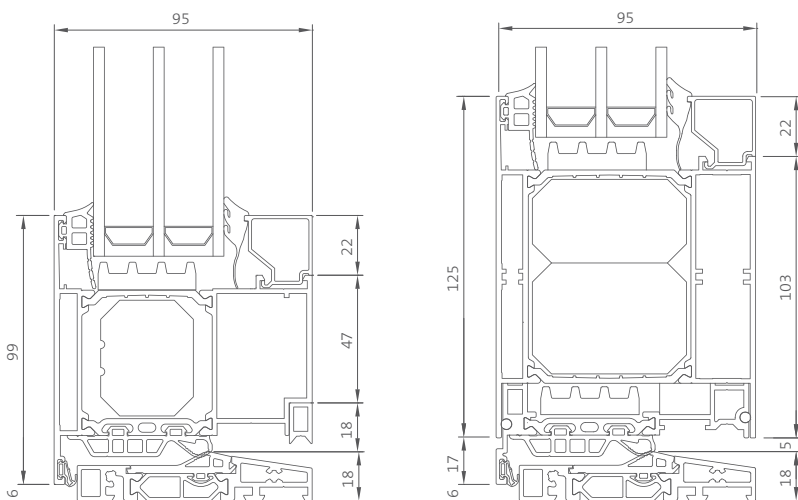
### Avantis 95 inwards opening door



Single inwards opening door	
Airtightness	A4
Watertightness	E750
Wind resistance	C4 - 1600 Pa

Double inwards opening door	
Airtightness	A3
Watertightness	E200
Wind resistance	C3 - 1200 Pa

### Avantis 95 outwards opening door



Single outwards opening door	
Airtightness	A4
Watertightness	E1500
Wind resistance	C4 - 1600 Pa

Double outwards opening door	
Airtightness	A4
Watertightness	E300
Wind resistance	C3 - 1200 Pa

# sapa:

Sapa offers architects, specifiers, metal fabricators, investors and home-owners worldwide an extensive range of innovative, reliable and aesthetically pleasing aluminium systems for curtain walling, doors, windows and building integrated photovoltaics. Sapa is one of the largest suppliers of aluminium building systems in Europe and is part of the global aluminium company Hydro.

**Windows, Doors, Sliding Systems, Curtain Walls, Conservatories, Balustrades, Gates, Solar Shading and BIPV**

## Sapa Building Systems nv

Industrielaan 17  
BE-8810 Lichtervelde  
T +32 (0)51 72 96 66  
F +32 (0)51 72 96 89  
E [info.be@sapagroup.com](mailto:info.be@sapagroup.com)

Industriezone Roosveld 11  
BE-3400 Landen  
T +32 (0)11 69 03 11  
F +32 (0)11 83 20 04  
[www.sapabuildingsystem.com](http://www.sapabuildingsystem.com)

part of

